

LEM

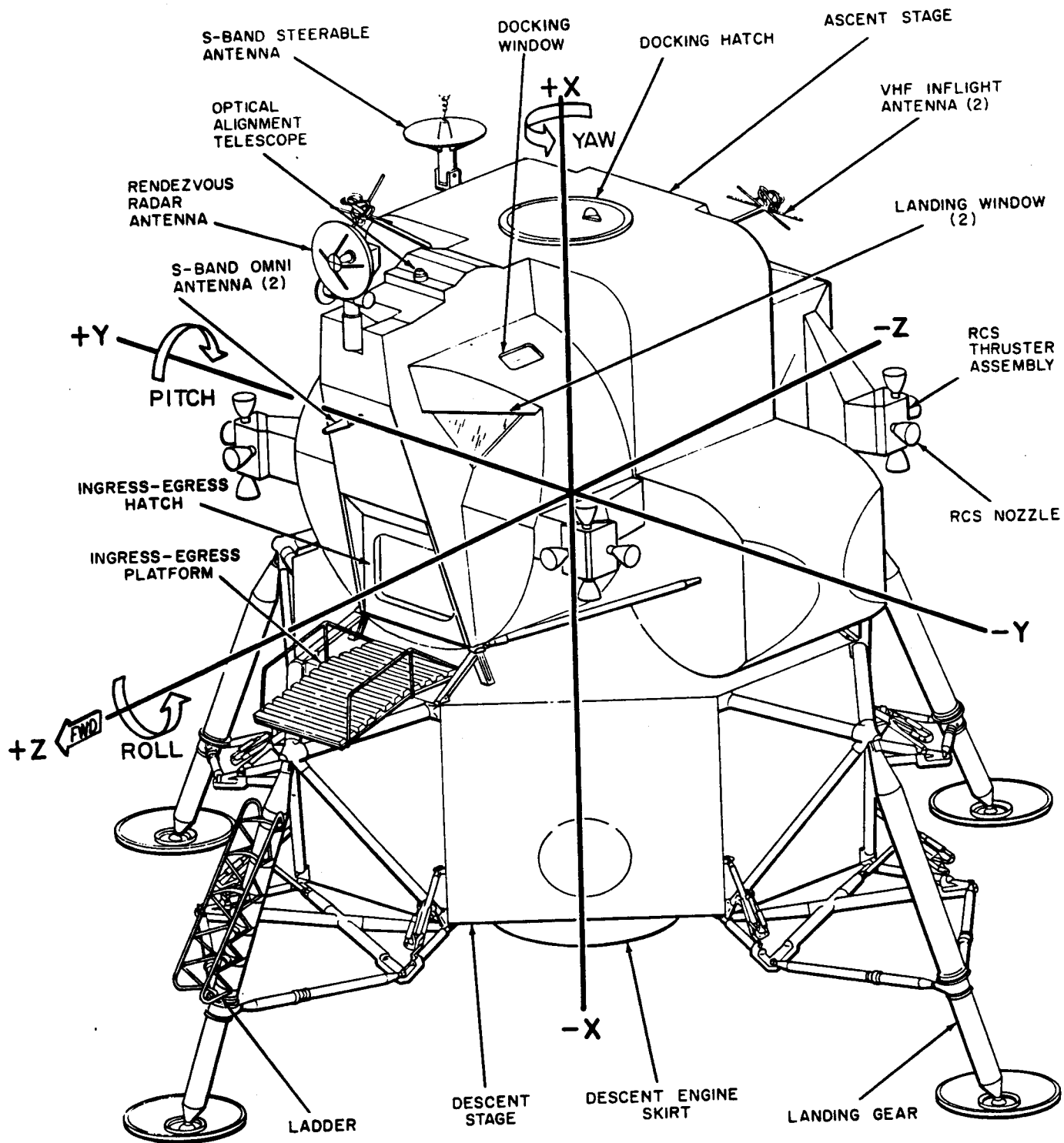
CES AND AGS

*LABOR +
GUIDANCE
SYSTEM*

SEPT 1966

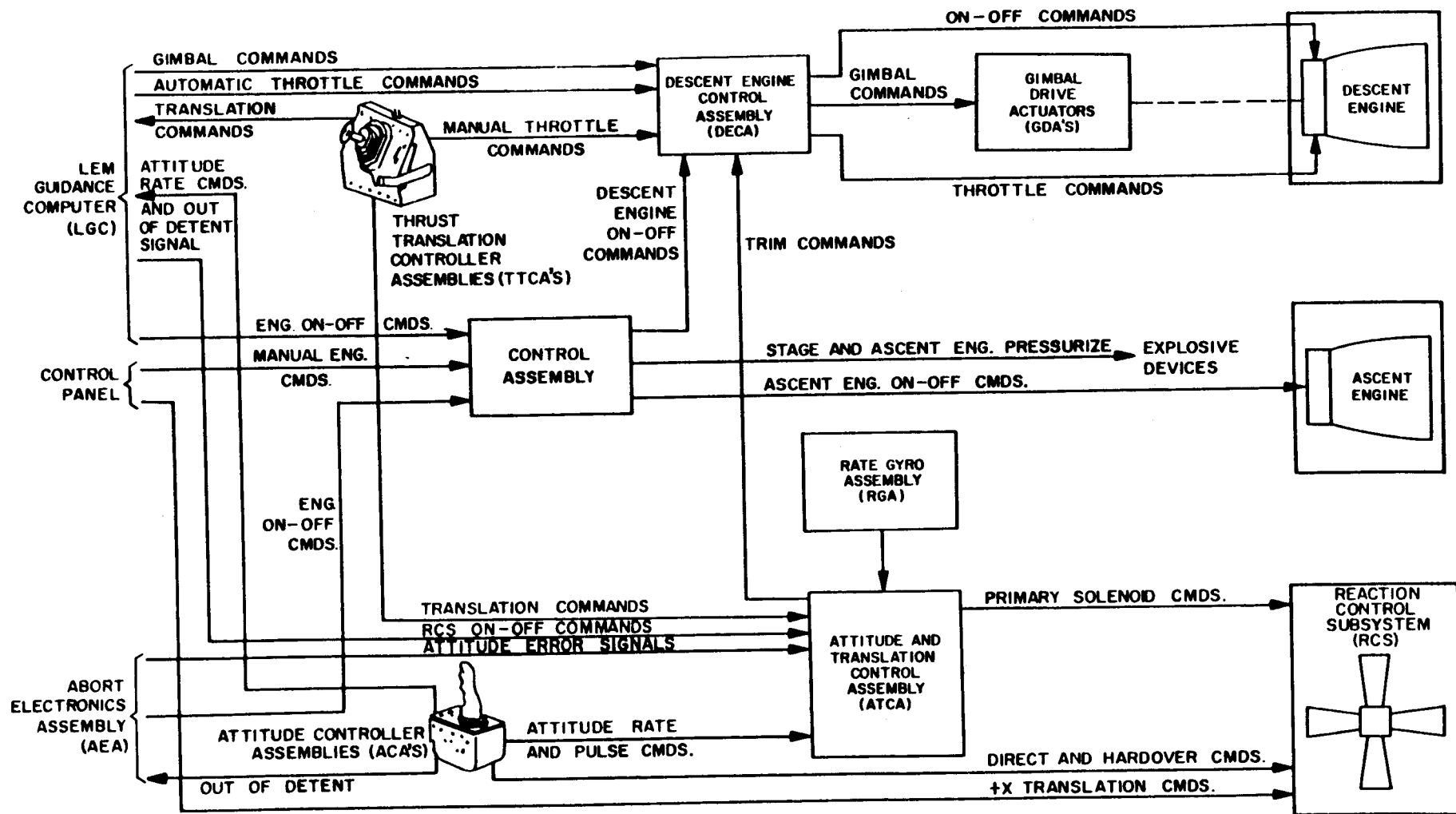


SERVICE AND PRODUCT SUPPORT DEPARTMENT/GRUMMAN AIRCRAFT ENGINEERING CORPORATION BETHPAGE/NEW YORK

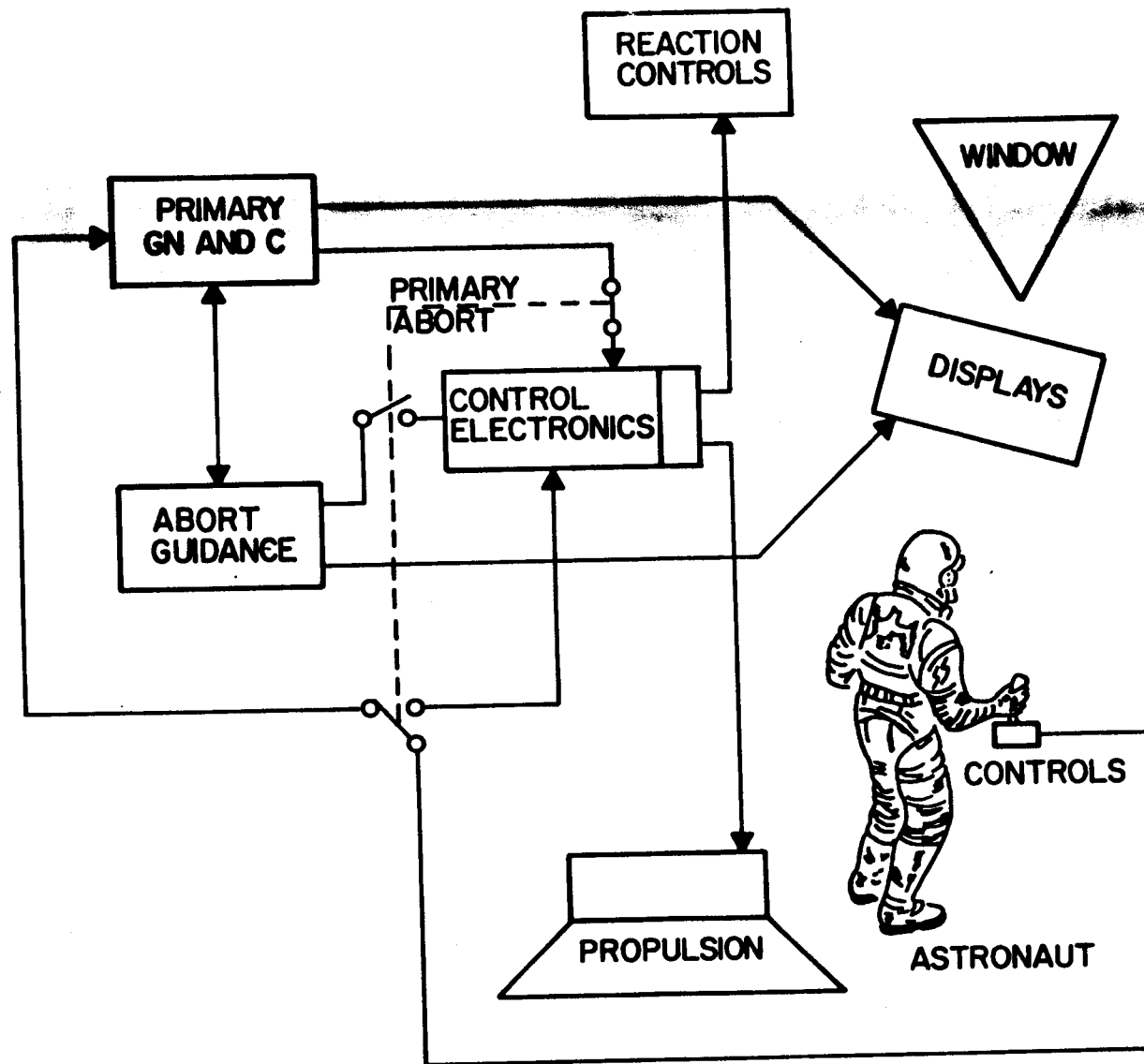


LEM VEHICLE

T370
MAY 66

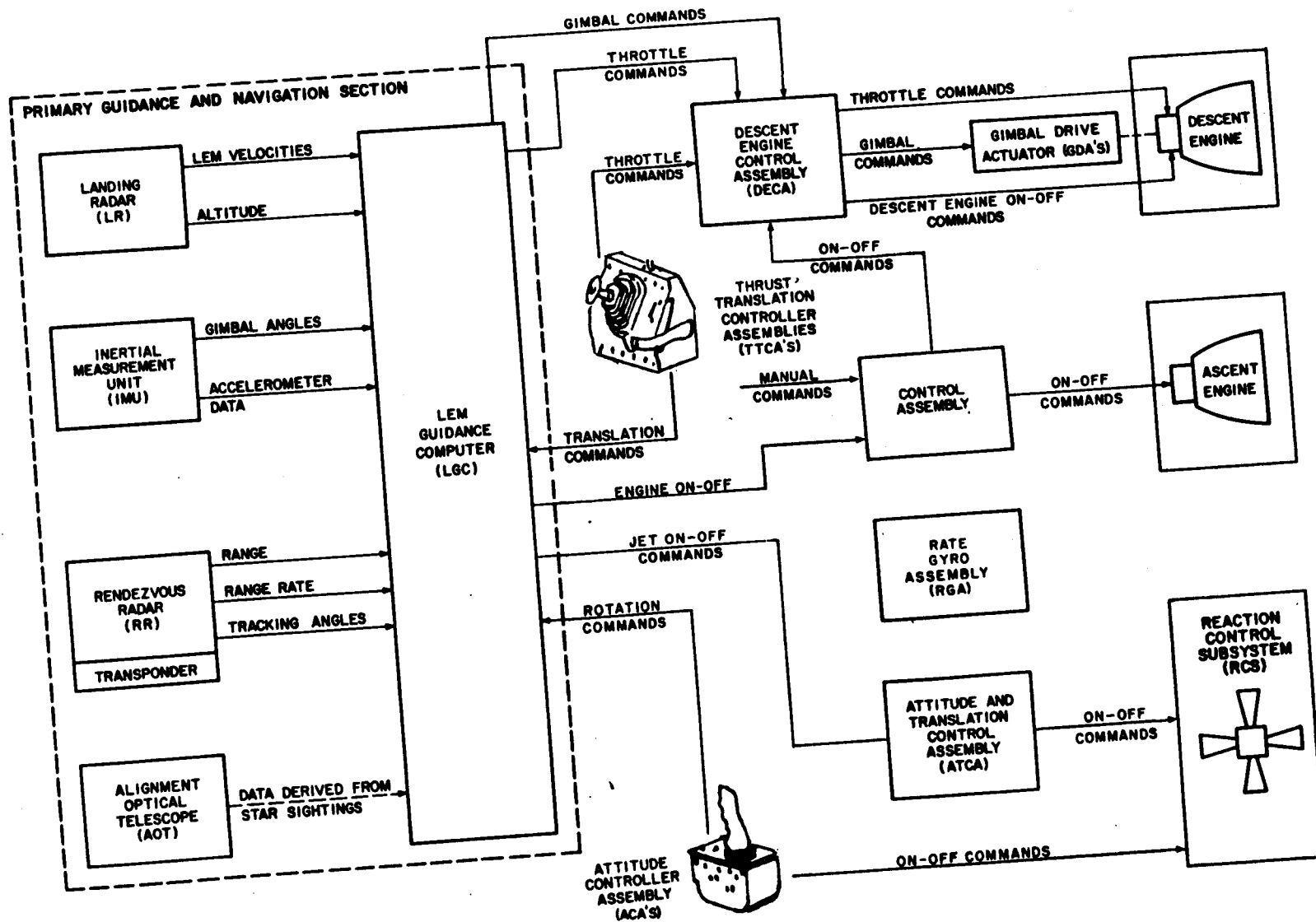


CONTROL ELECTRONICS SECTION BLOCK DIAGRAM



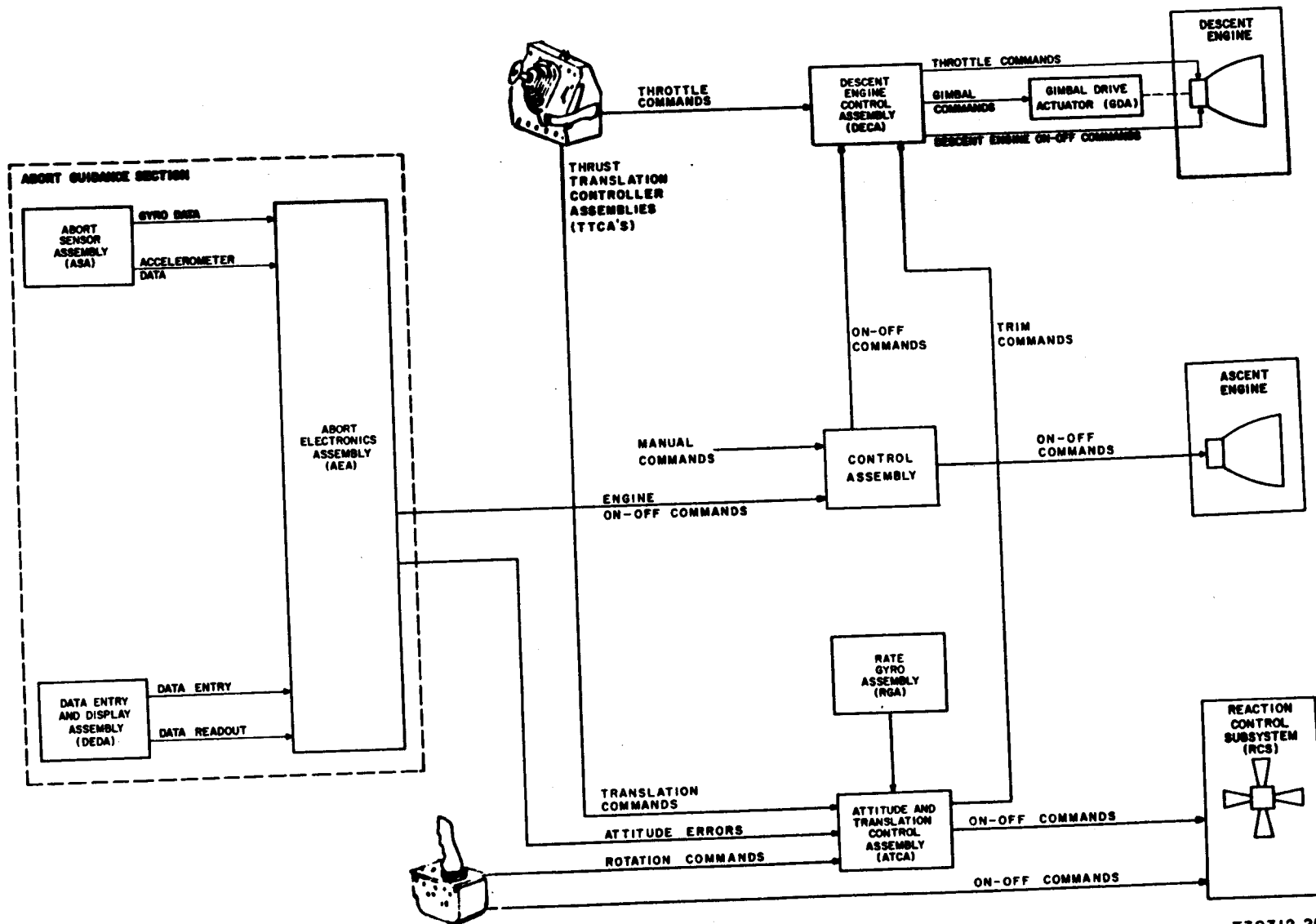
INTEGRATED FLIGHT CONTROL SUBSYSTEM

T30312-17
SEPT 65



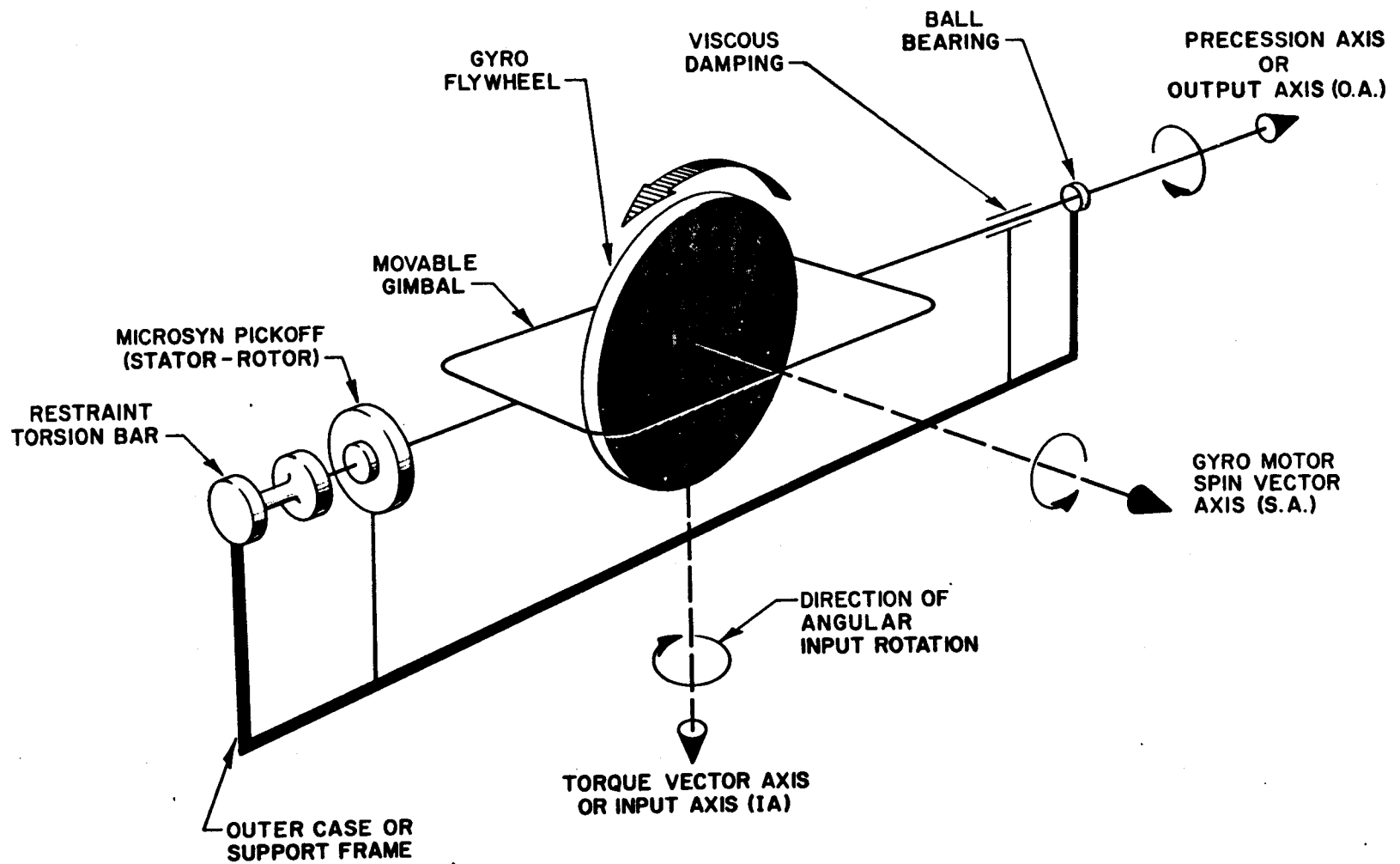
PRIMARY GUIDANCE PATH SIMPLIFIED BLOCK DIAGRAM

T30312-23
SEPT 66



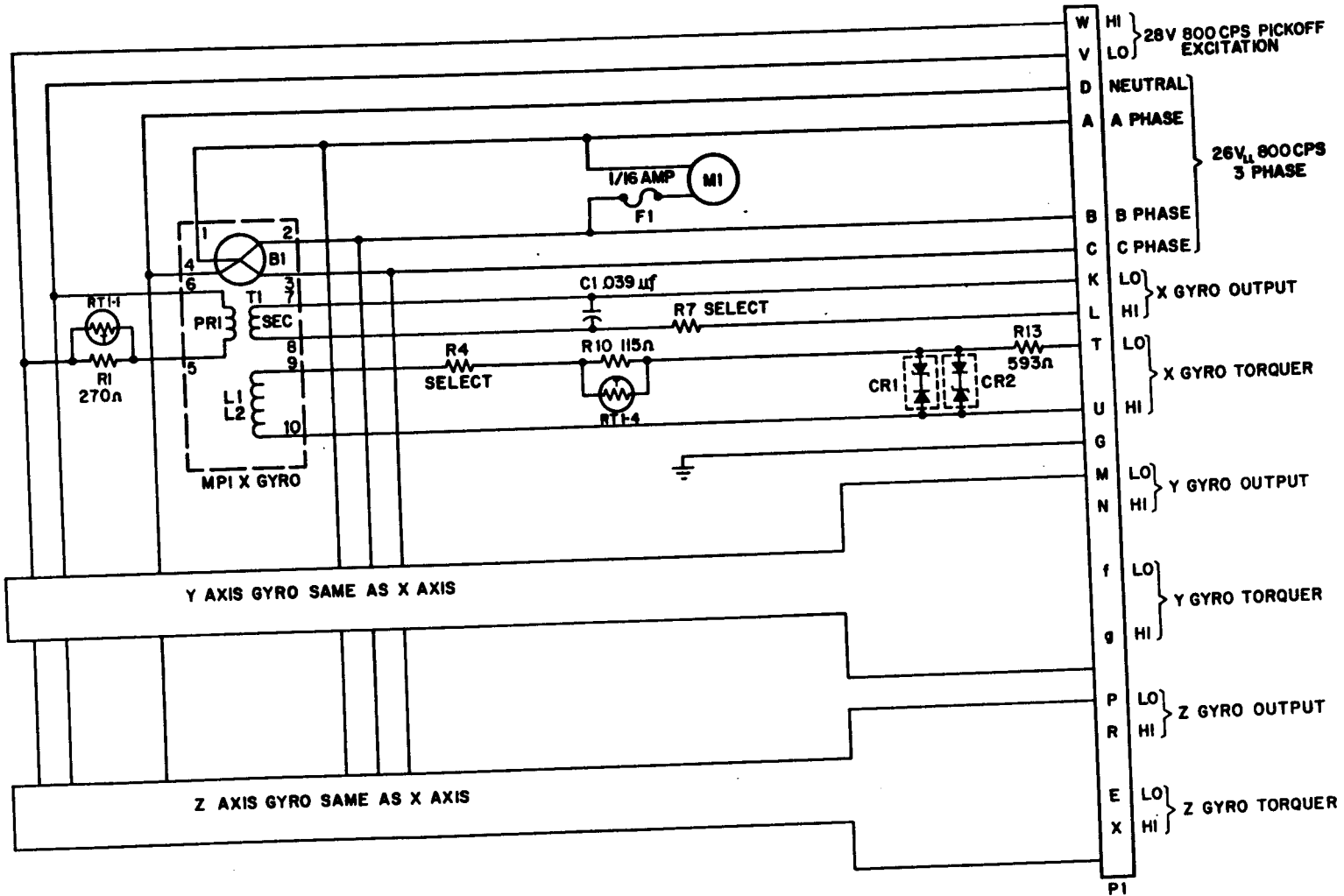
ABORT GUIDANCE PATH BLOCK DIAGRAM

T30312-25
SEPT 66

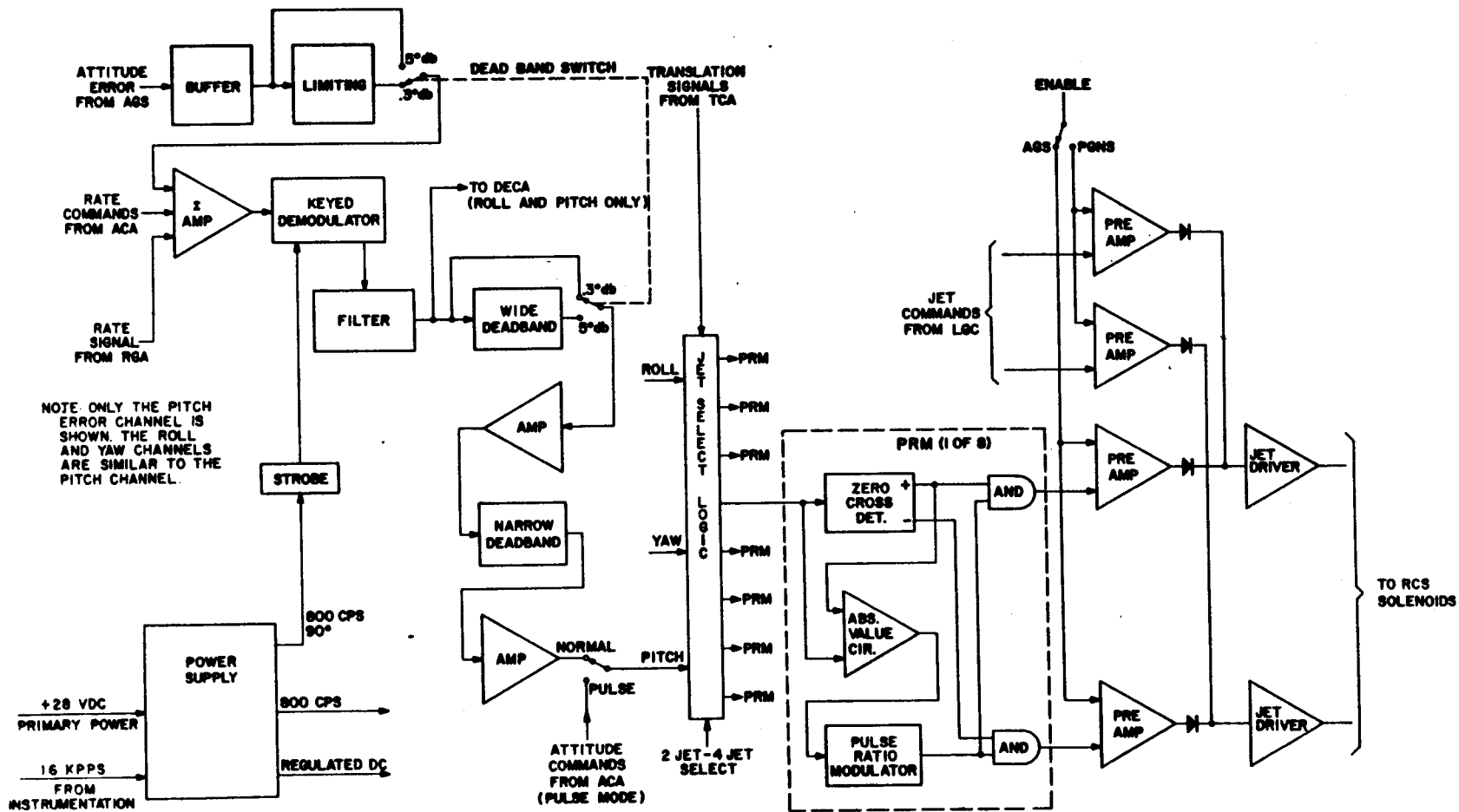


RATE GYRO-SIMPLIFIED DRAWING

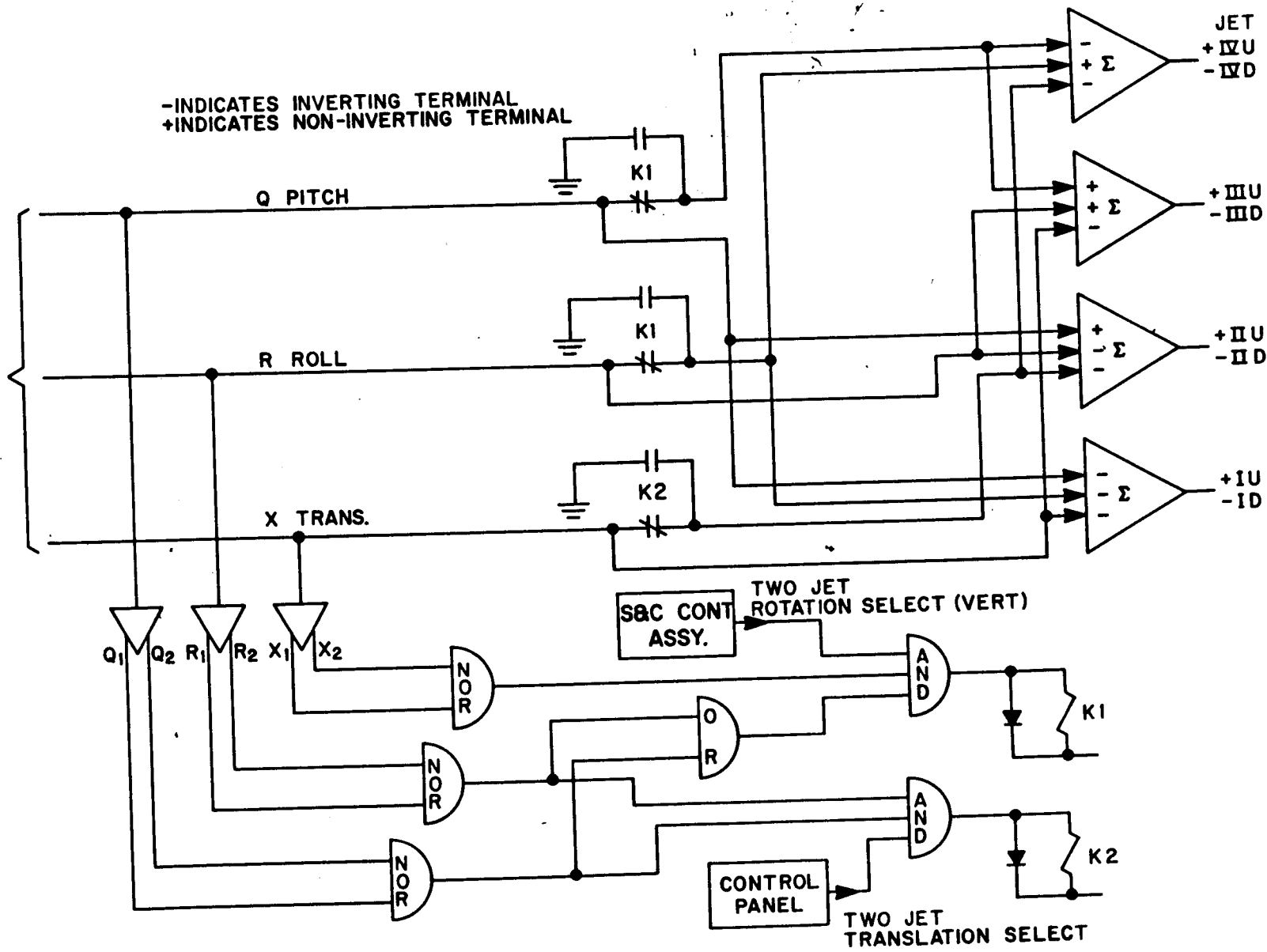
T30312-29
FEB 66



RATE GYRO ASSEMBLY SCHEMATIC

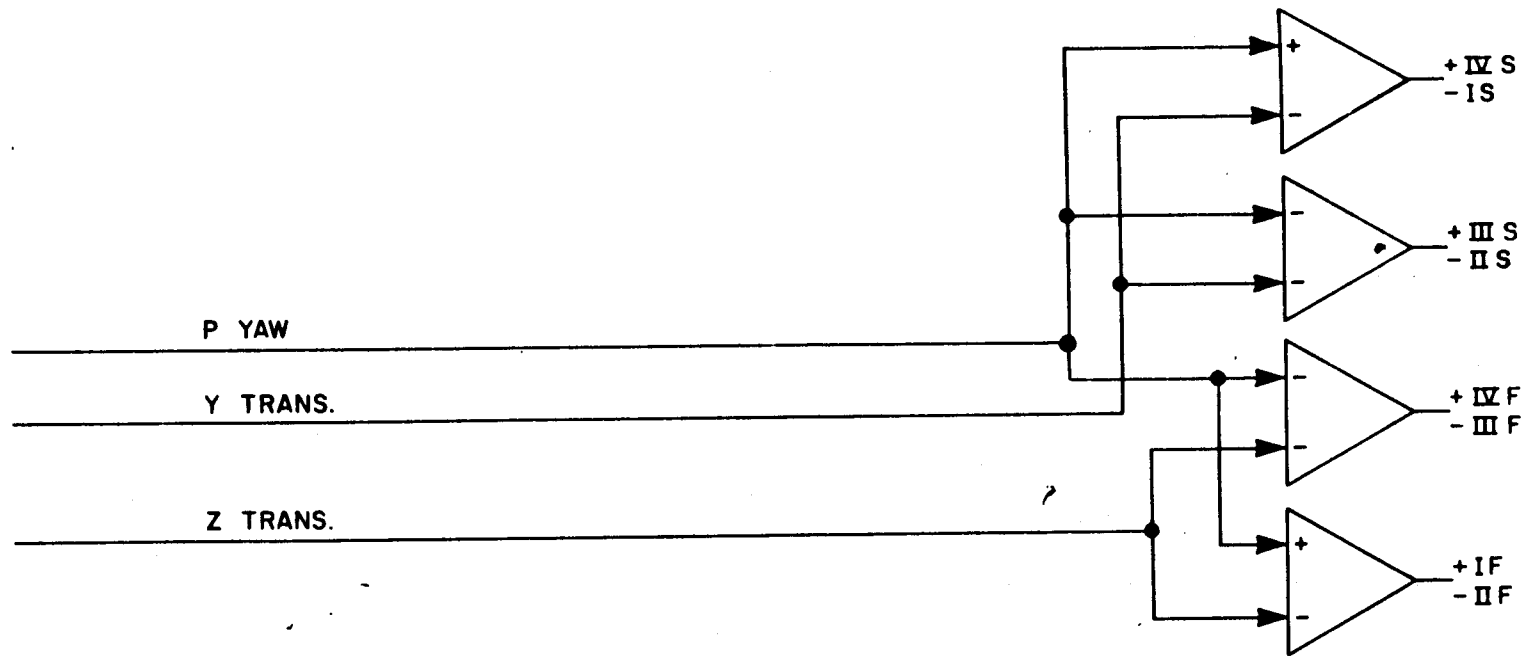


ATTITUDE AND TRANSLATION CONTROL ASSEMBLY BLOCK DIAGRAM



VERTICAL JET SELECT LOGIC

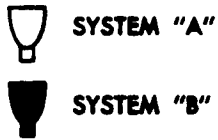
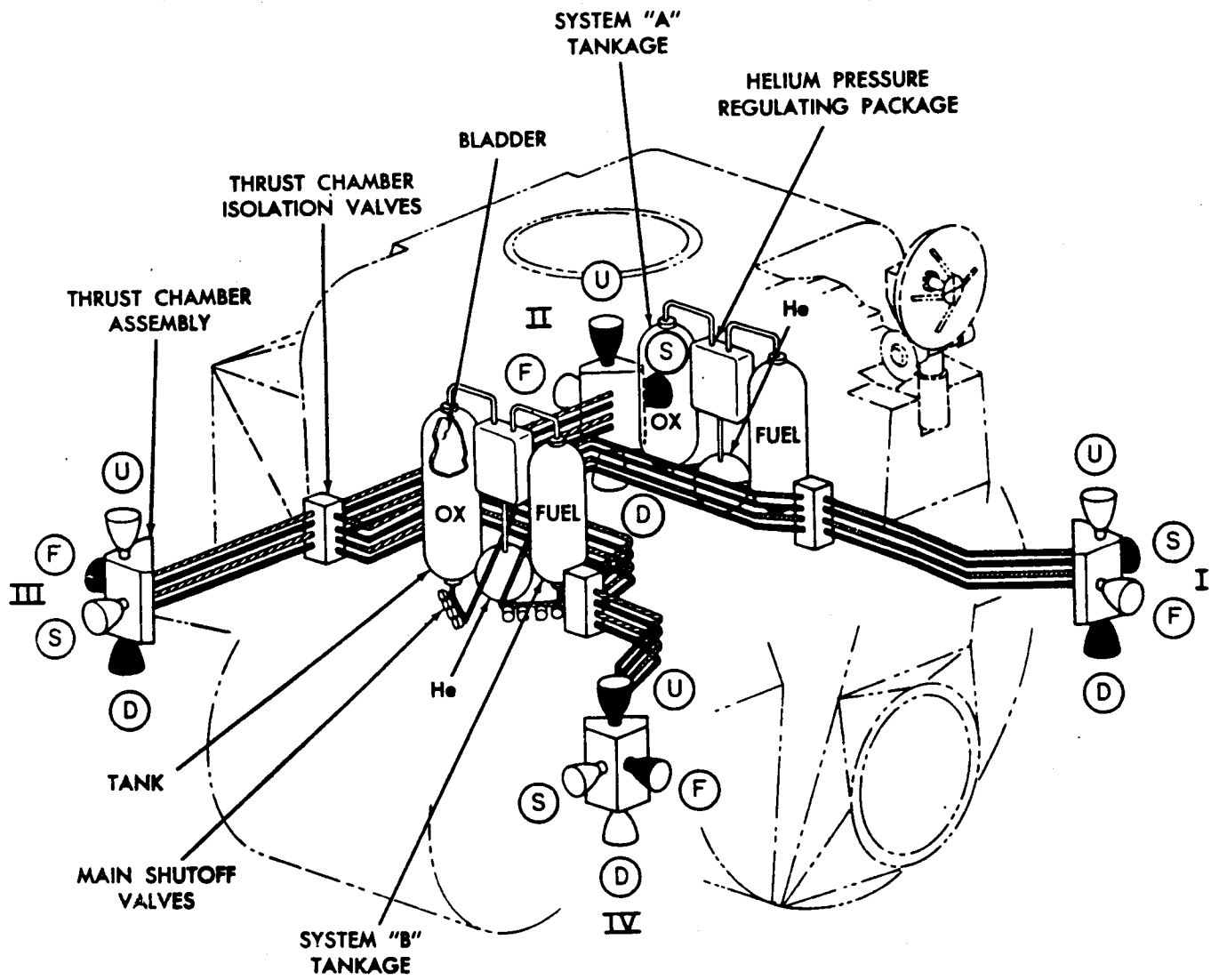
T30405-72
SEPT 66



- INDICATES INVERTING TERMINAL
 + INDICATES NON-INVERTING TERMINAL

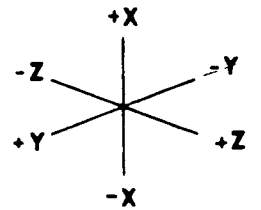
HORIZONTAL JET SELECT LOGIC

T30405-71
 APRIL 66

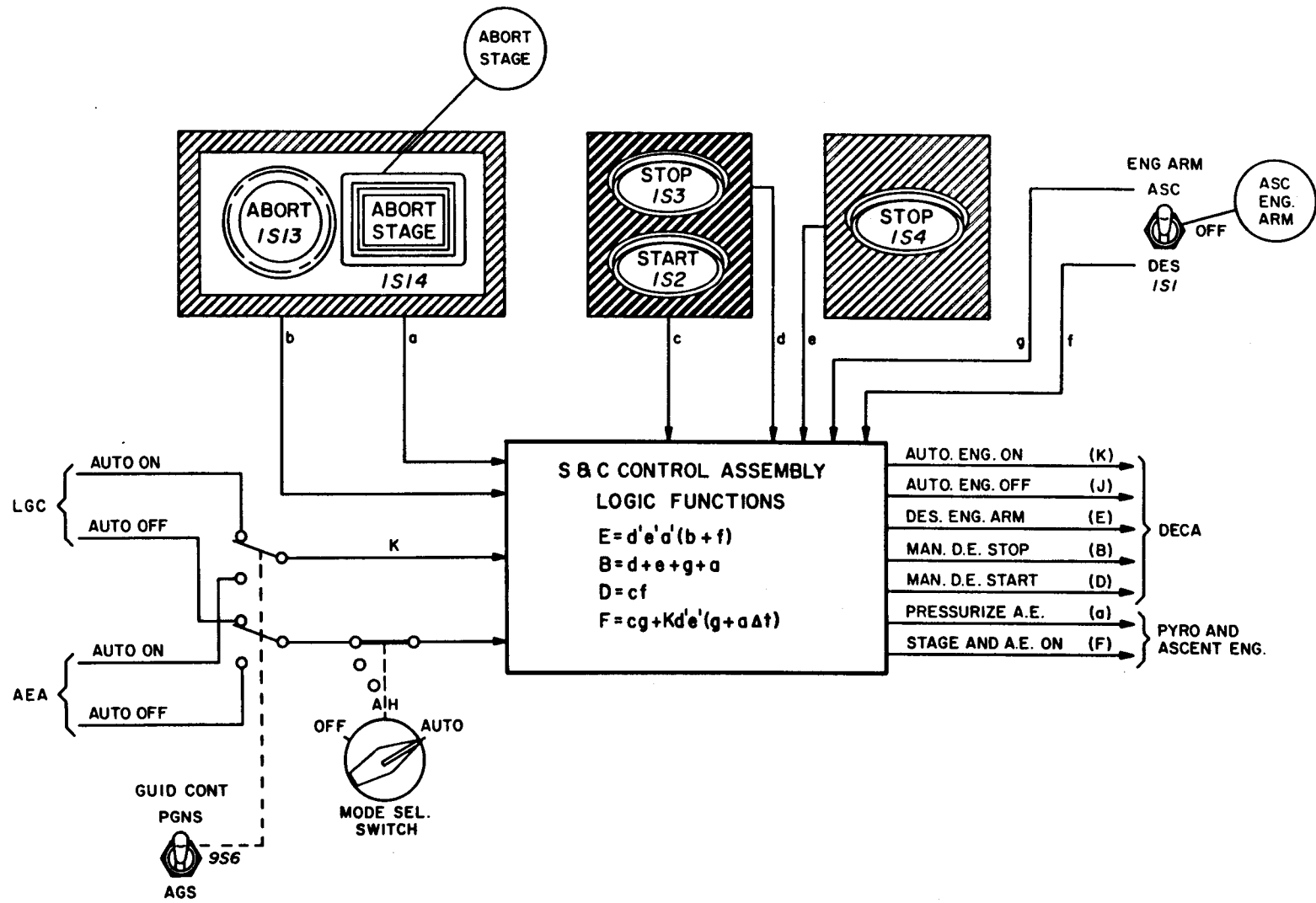


RCS INSTALLATION

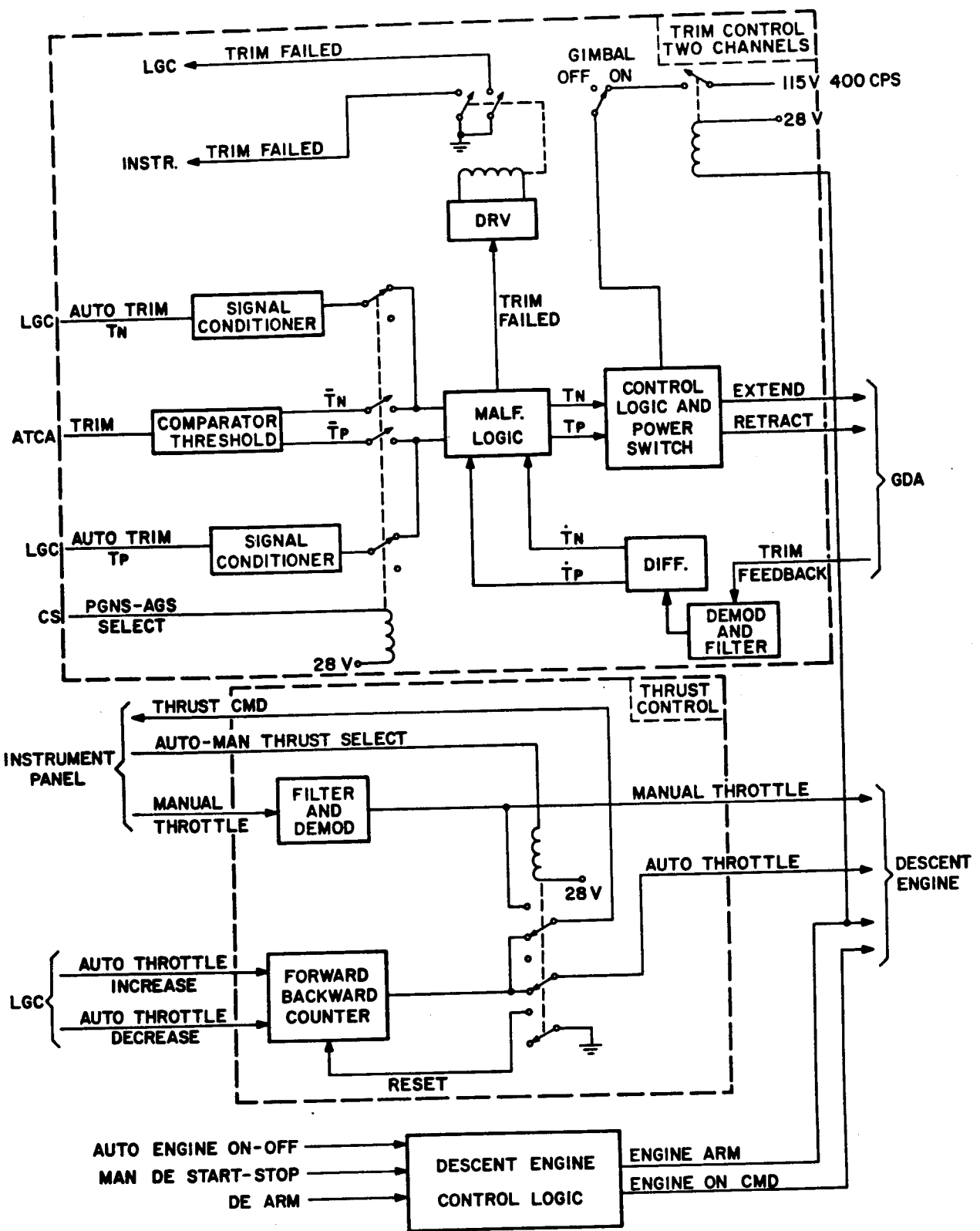
AXES ORIENTATION



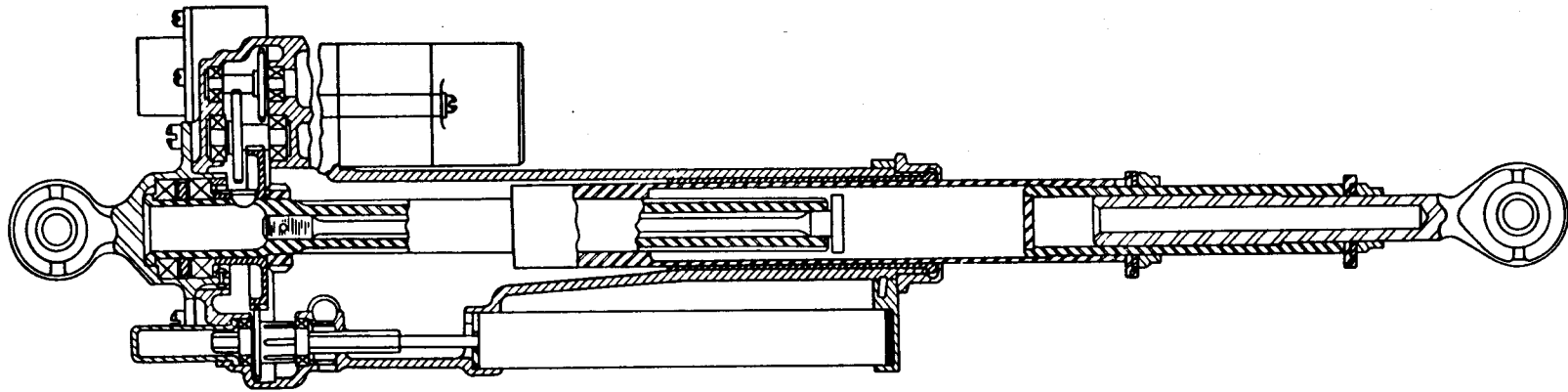
T 30312-6
JUNE 65



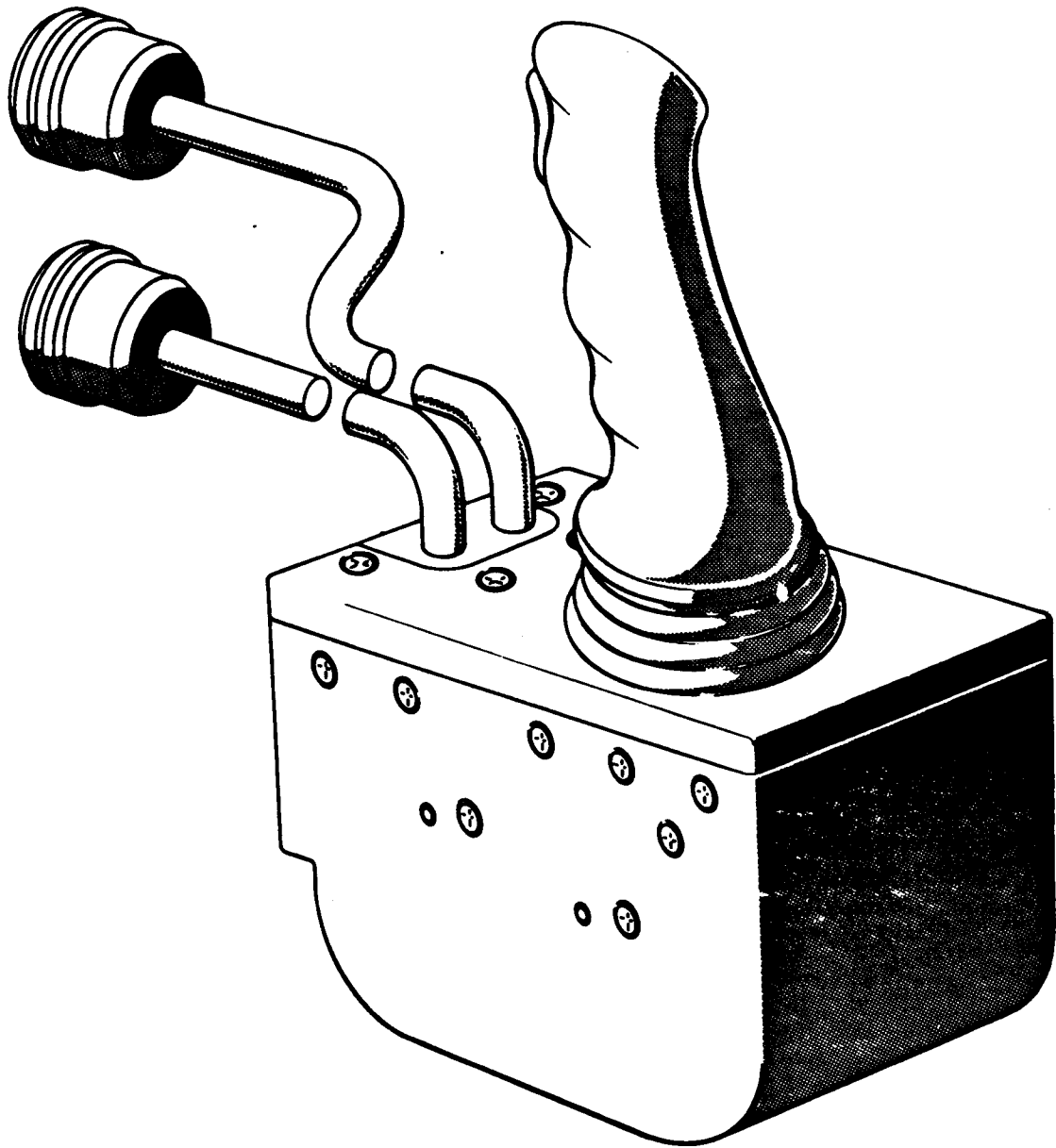
MAIN PROPULSION, CONTROL ASSEMBLY LOGIC



DESCENT ENGINE CONTROL ASSEMBLY BLOCK DIAGRAM

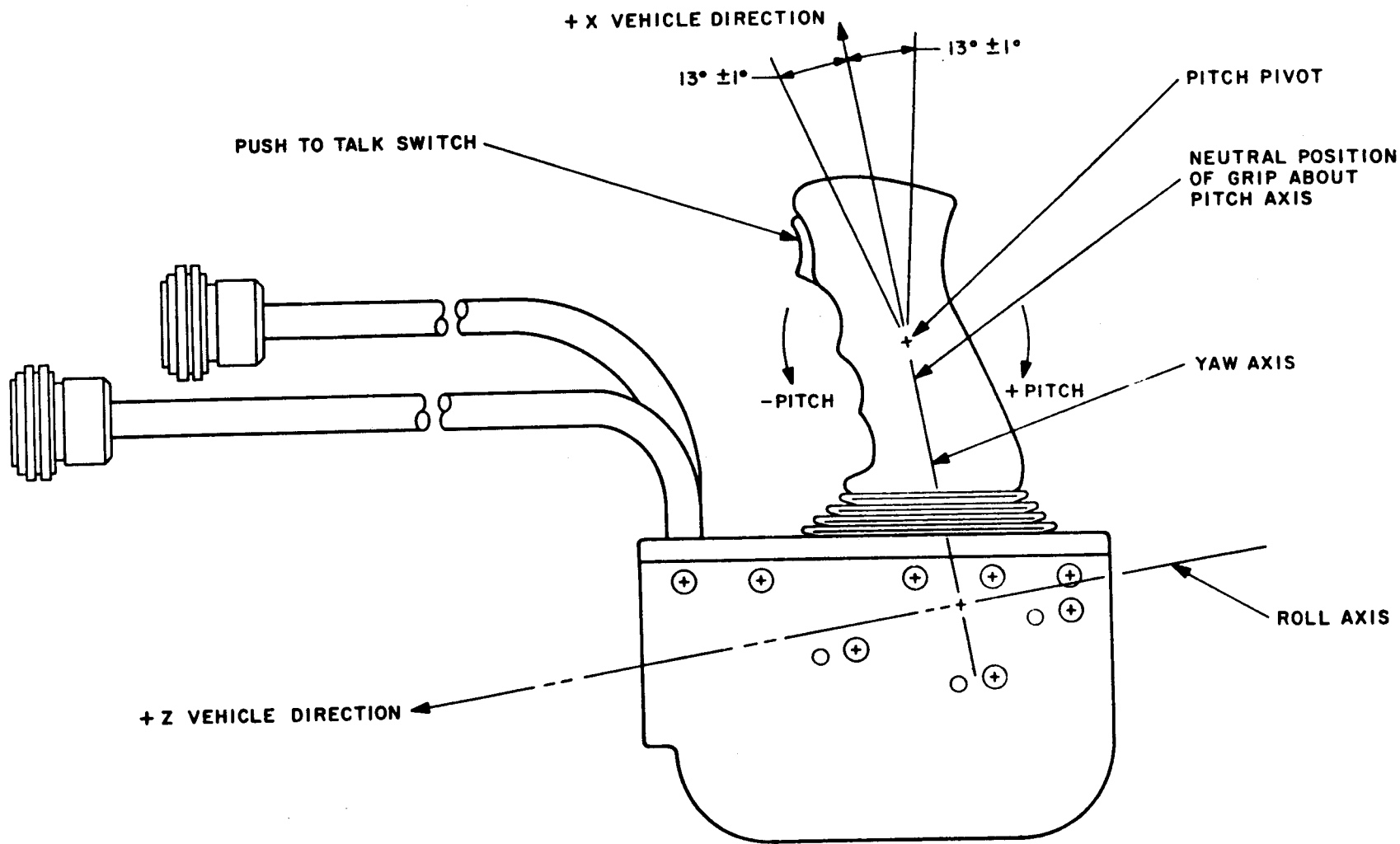


DESCENT ENGINE GIMBAL DRIVE ACTUATOR



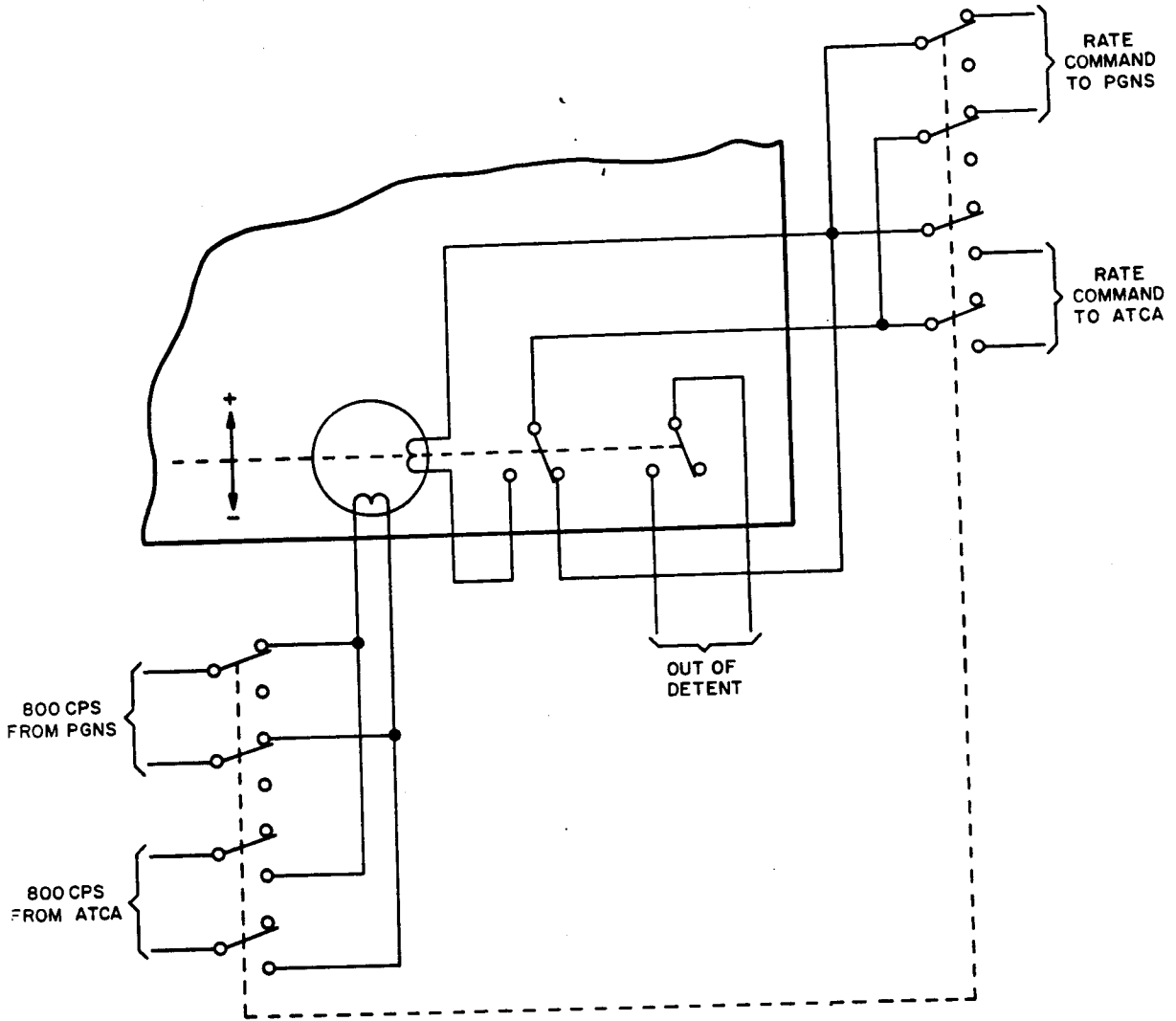
ATTITUDE CONTROLLER ASSEMBLY

T 30900-15
JAN 66

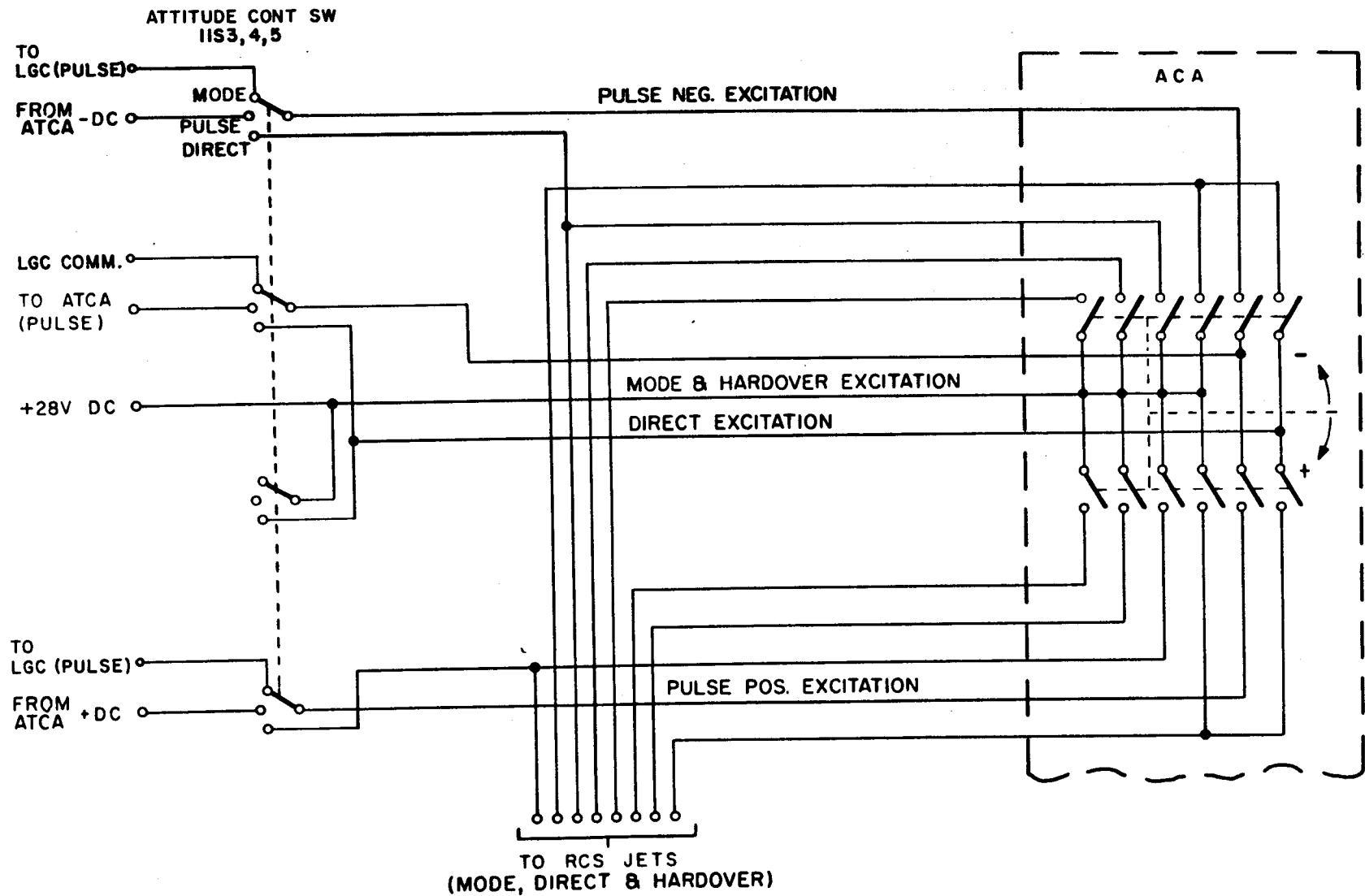


ACA MANIPULATION

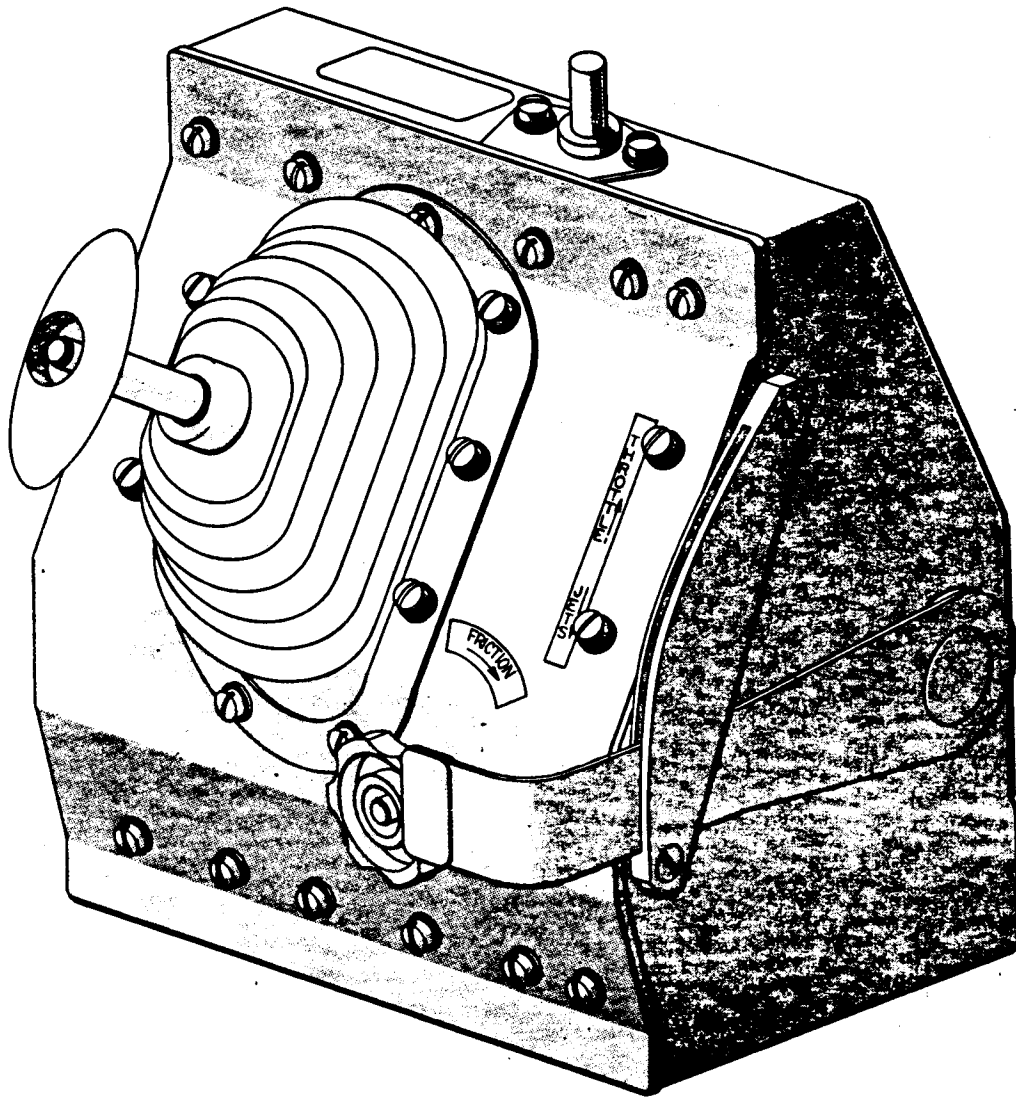
T 30405-78
APRIL 66



ACA PROPORTIONAL CONTROL

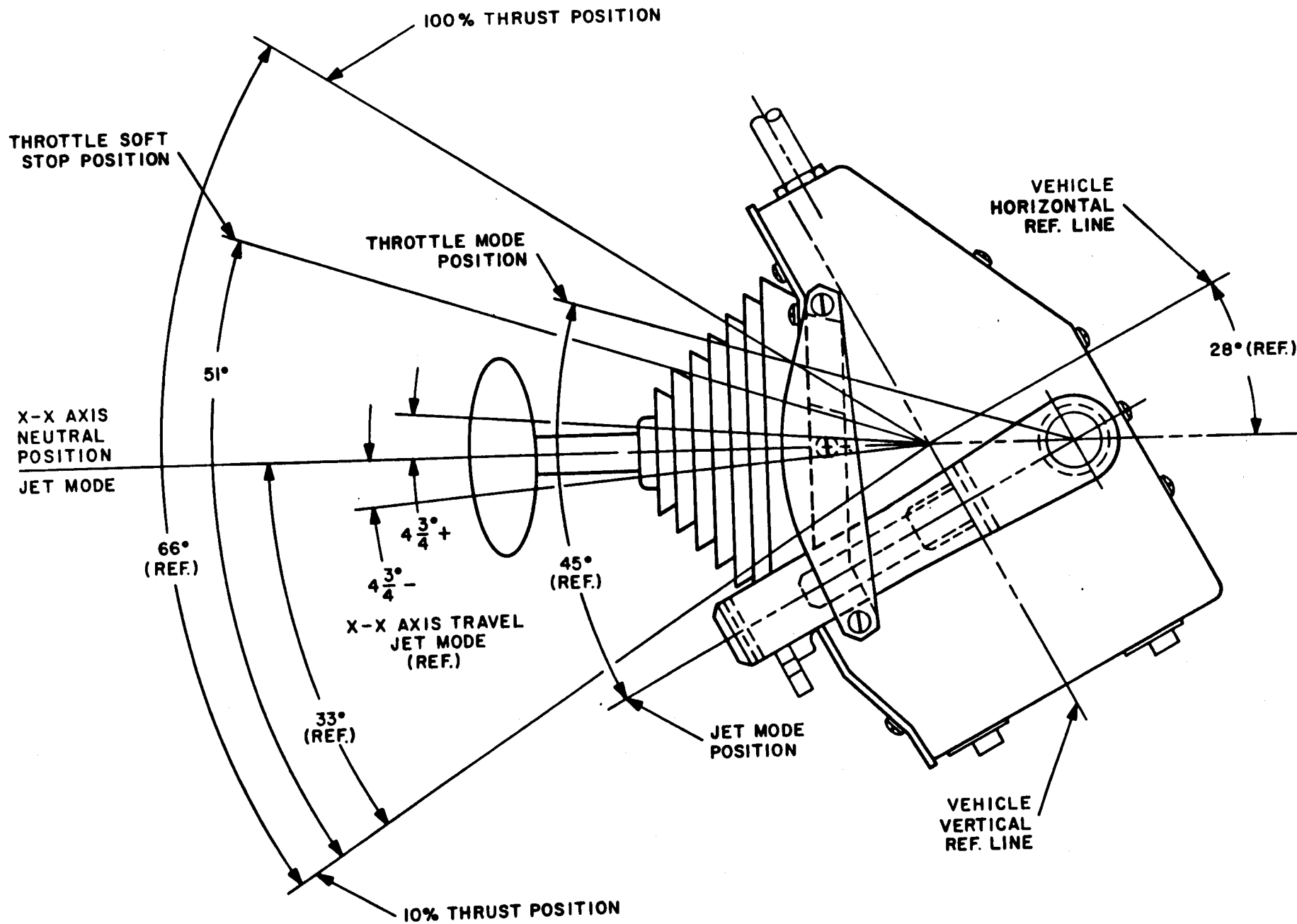


TYPICAL DISCRETE ATTITUDE CONTROL SECTION

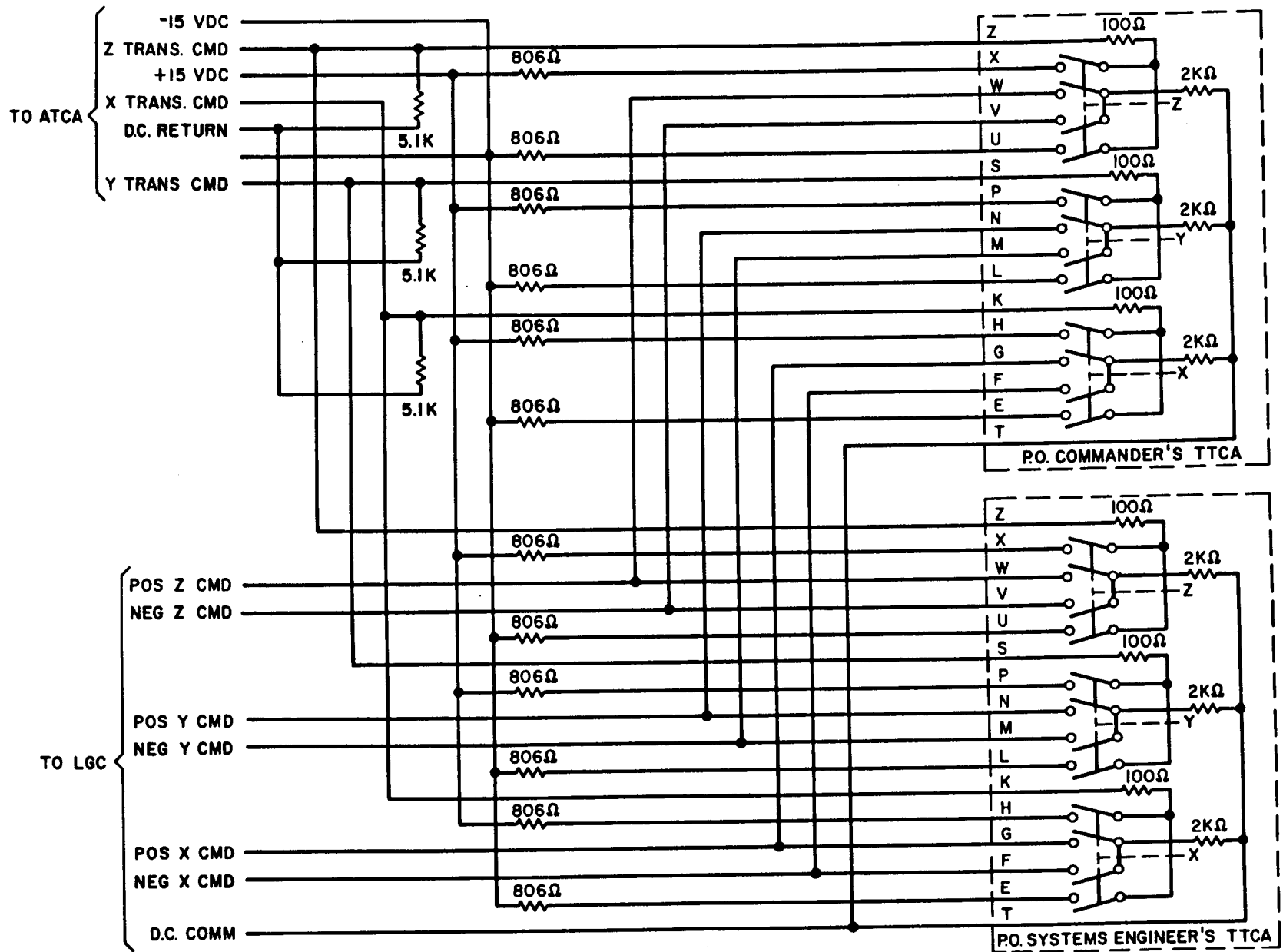


TRANSLATION CONTROLLER

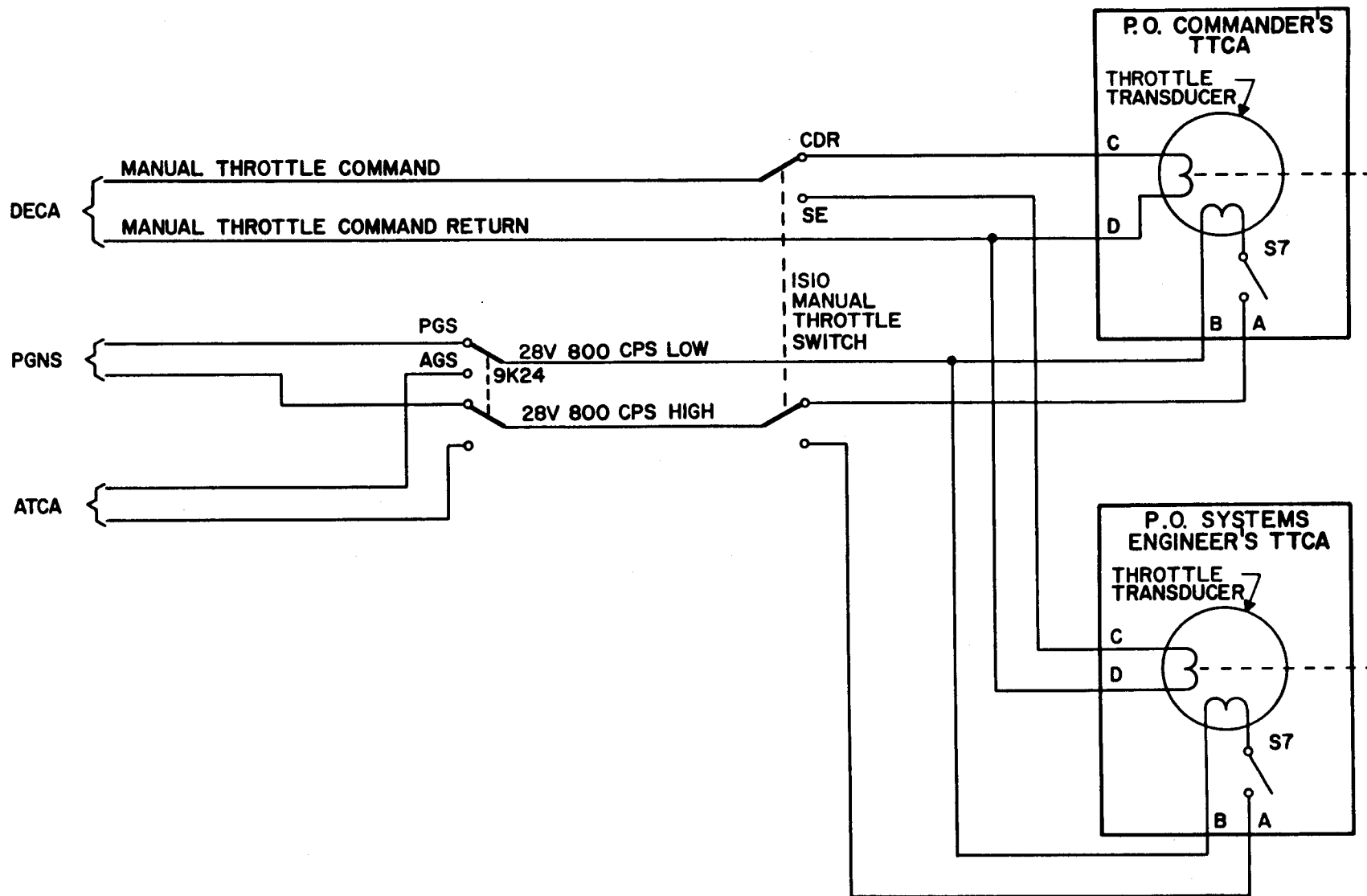
T30900-14
DEC 64



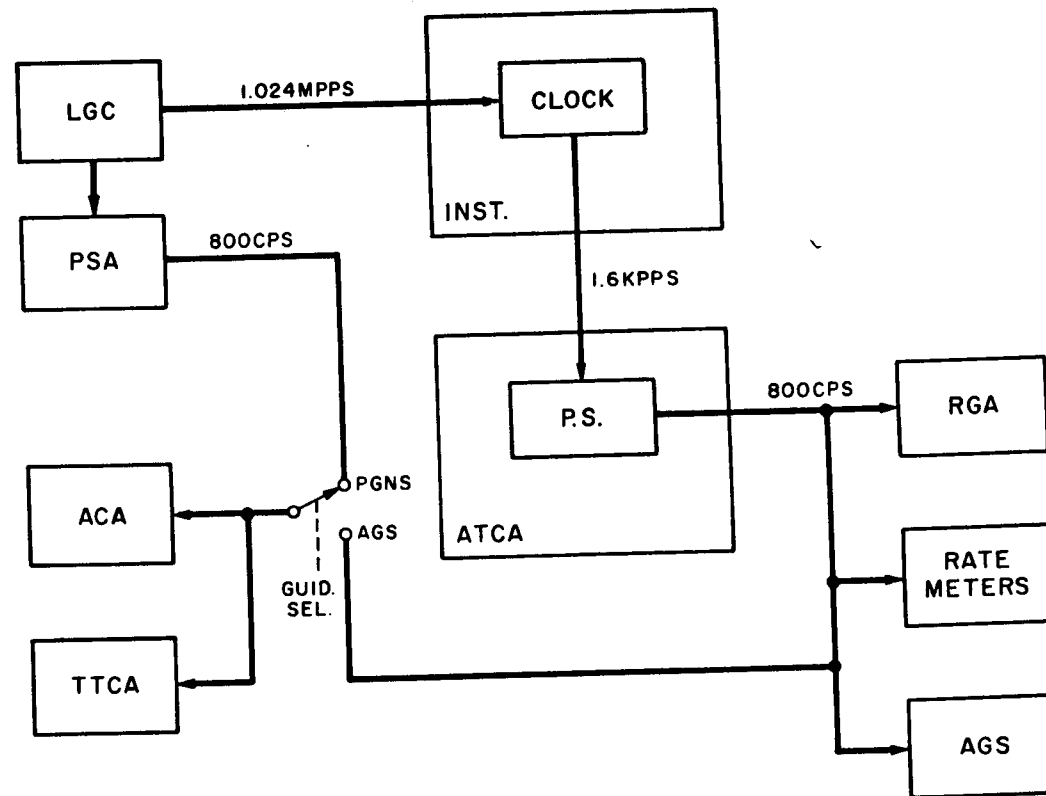
TTCA MANIPULATION



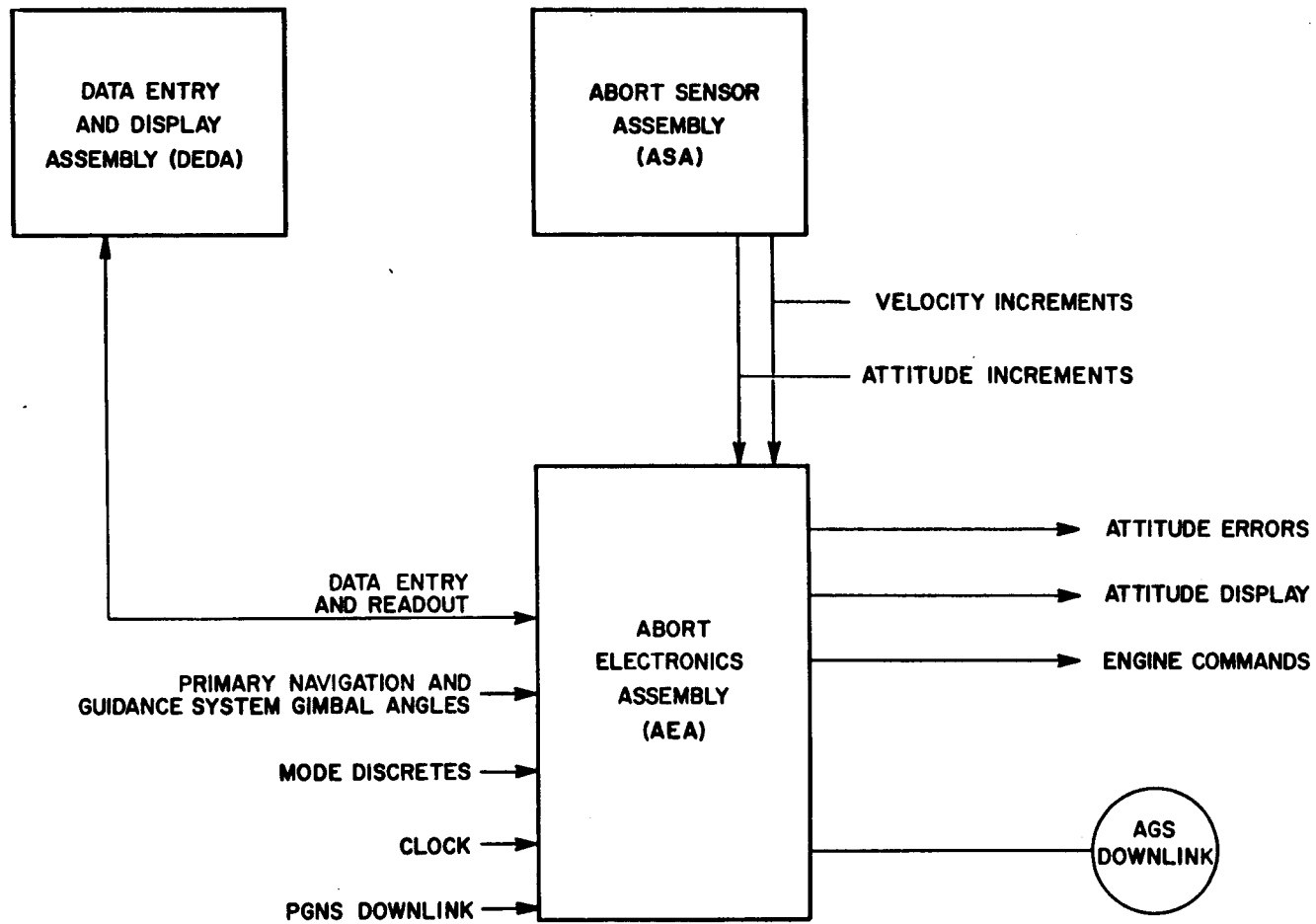
TTCA TRANSLATION INTERFACE



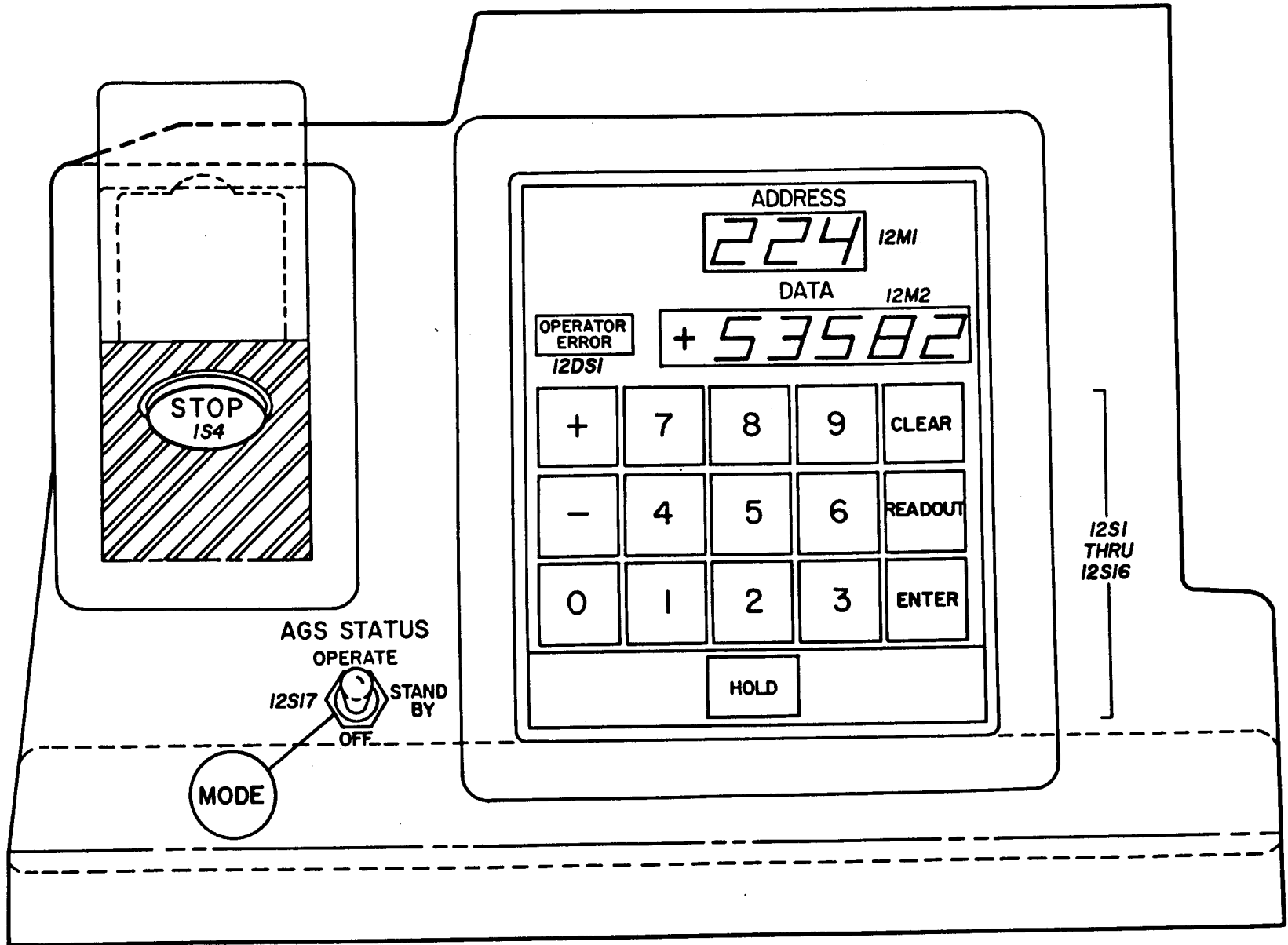
TTCA THROTTLE TRANSDUCER INTERFACE



CES 800CPS SYNCH



ABORT GUIDANCE SECTION BLOCK DIAGRAM



PANEL VI

1. ALIGNMENT MODE

a) SUBMODES OF THE ALIGNMENT MODE:

IMU ALIGN SUBMODE

LUNAR ALIGN SUBMODE

ORBITAL ALIGN SUBMODE

2. INERTIAL REFERENCE MODE

a) SUBMODES OF THE INERTIAL REFERENCE
MODE:

FOLLOW-UP SUBMODE

ATTITUDE HOLD SUBMODE

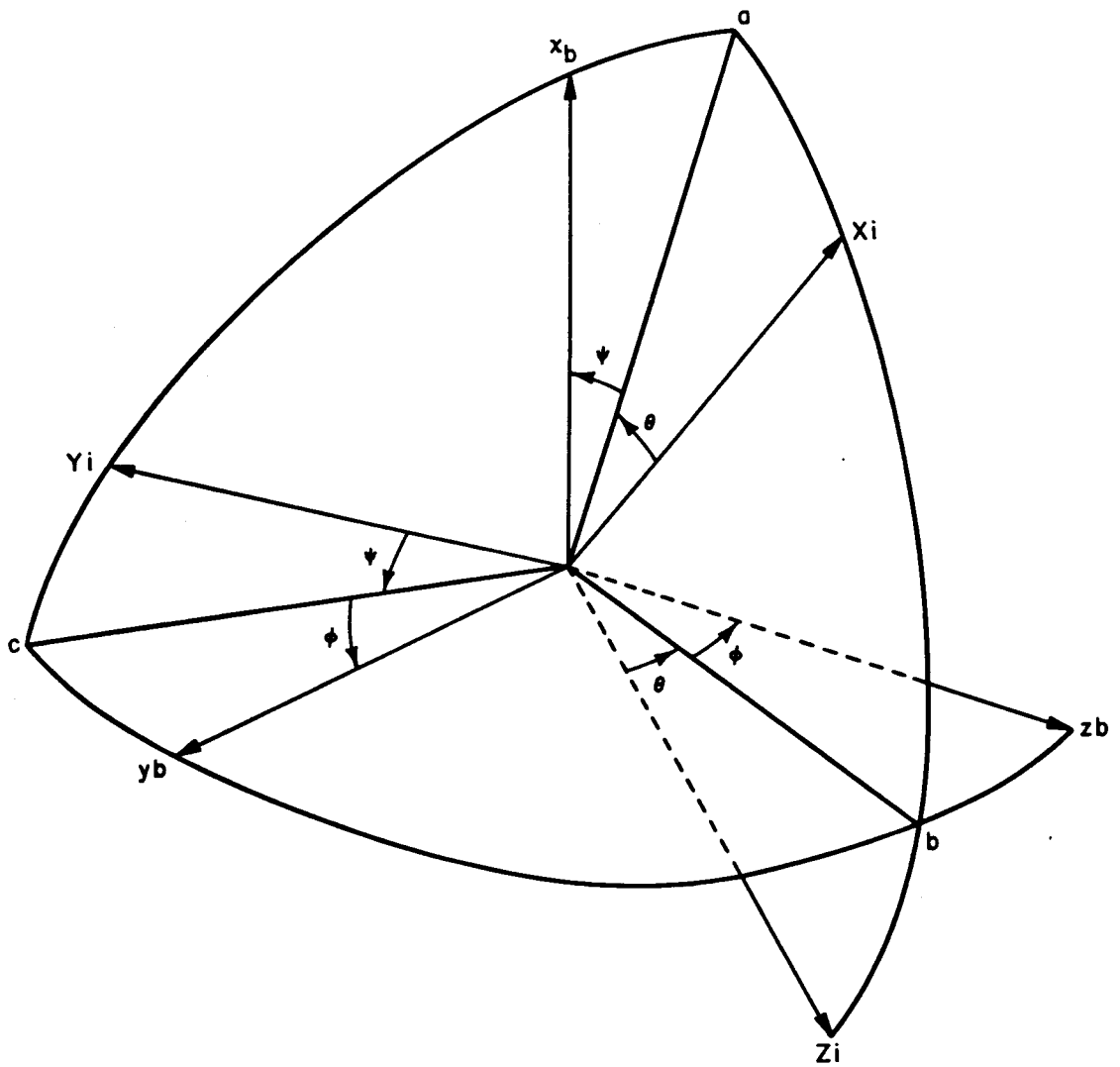
SEMI-AUTOMATIC SUBMODE

AUTOMATIC SUBMODE

ACQUISITION SUBMODE

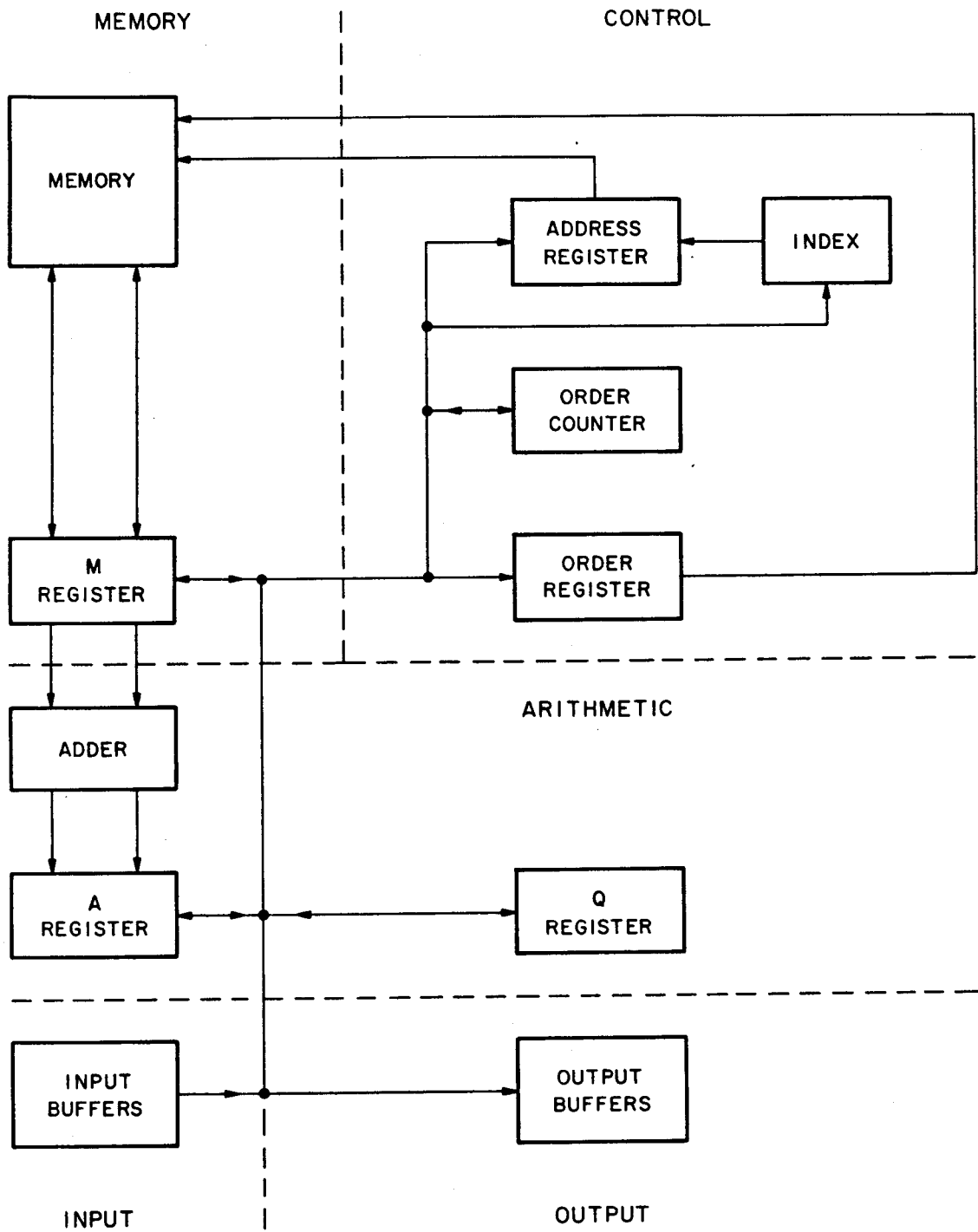
AGS OPERATING MODES

T30405-105
MAY 66



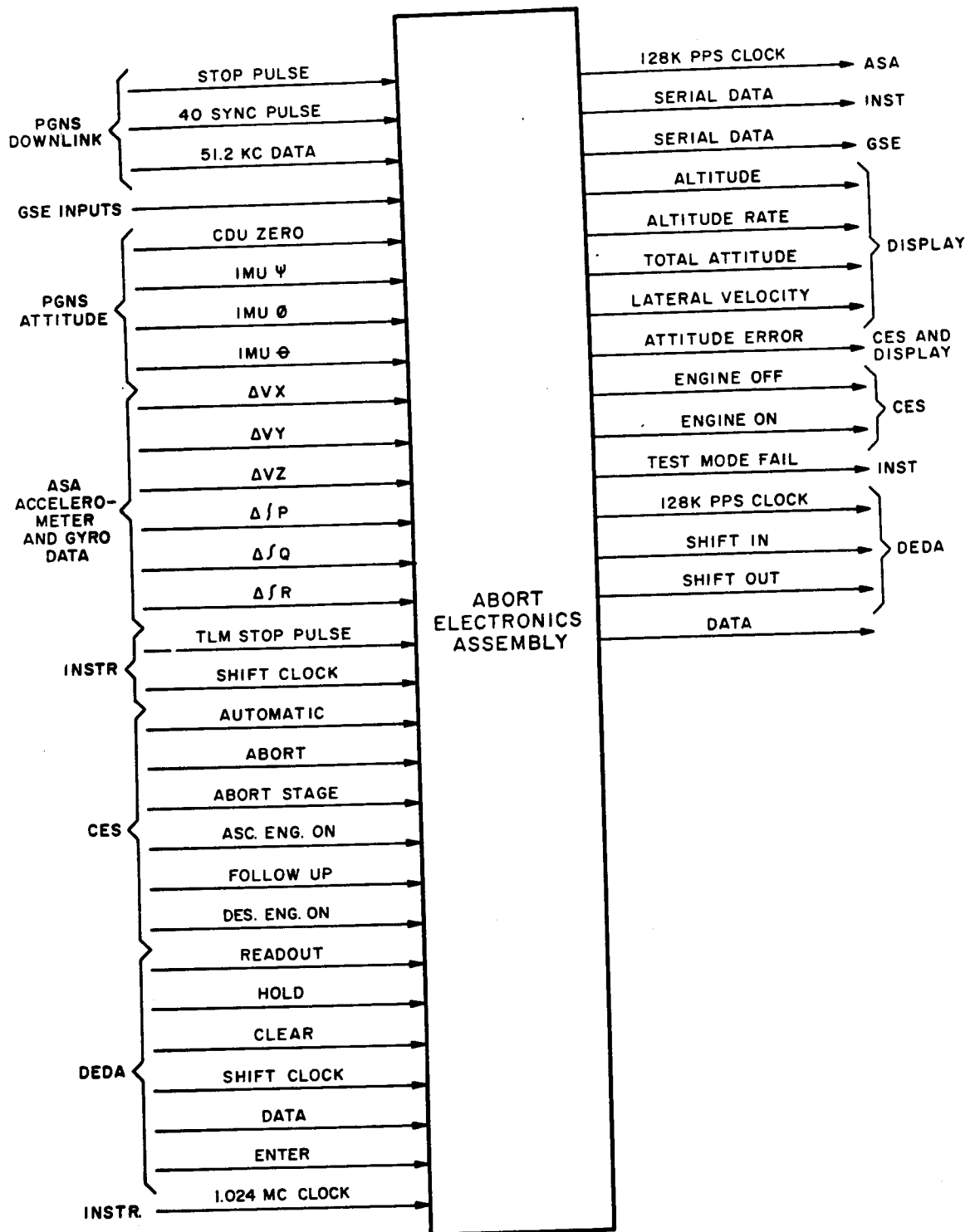
EULER ANGLES

T30312-15
JUNE 65

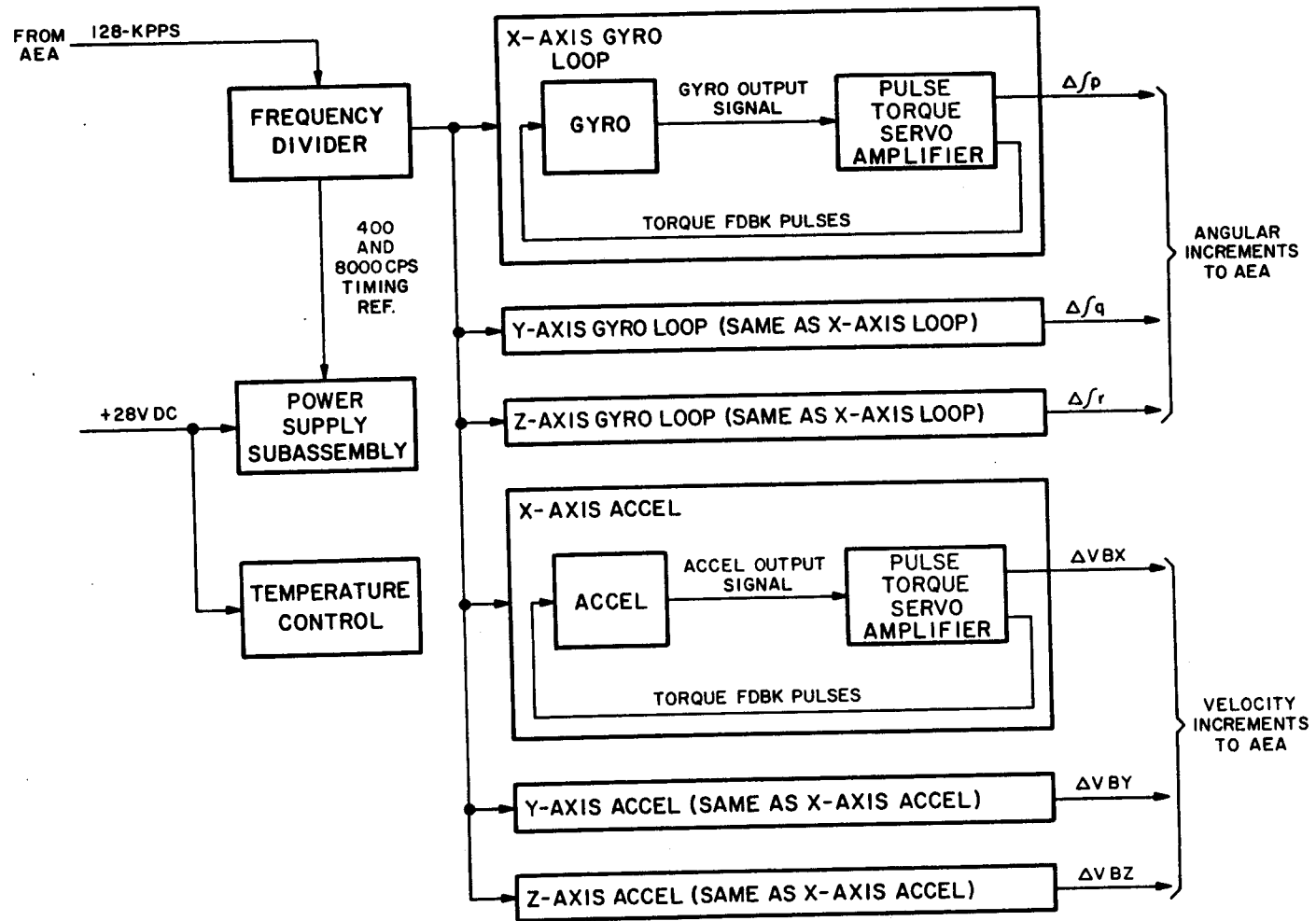


SIMPLIFIED COMPUTER BLOCK DIAGRAM

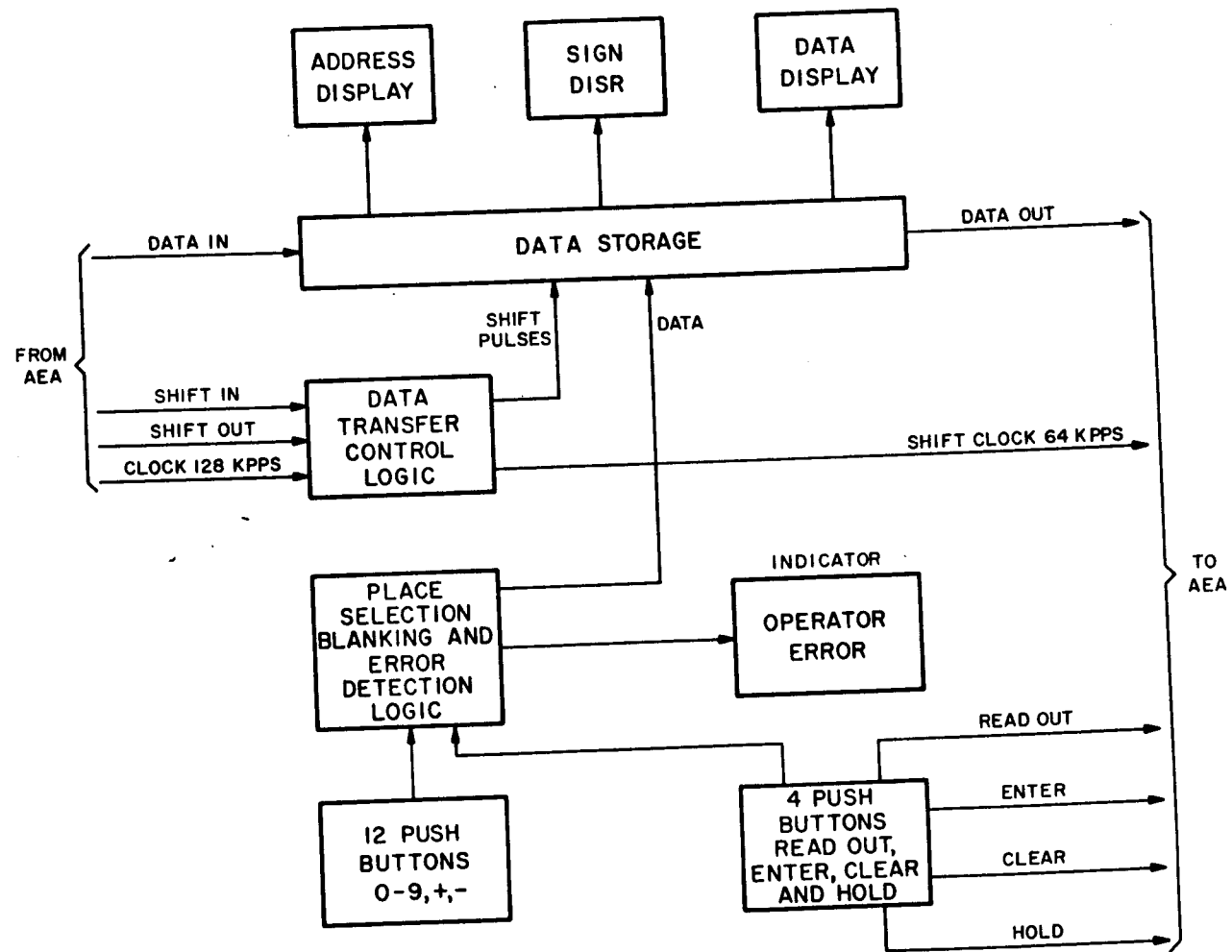
T30405-107
MAY 66



AEA INTERFACE



ASA BLOCK DIAGRAM



DEDA BLOCK DIAGRAM